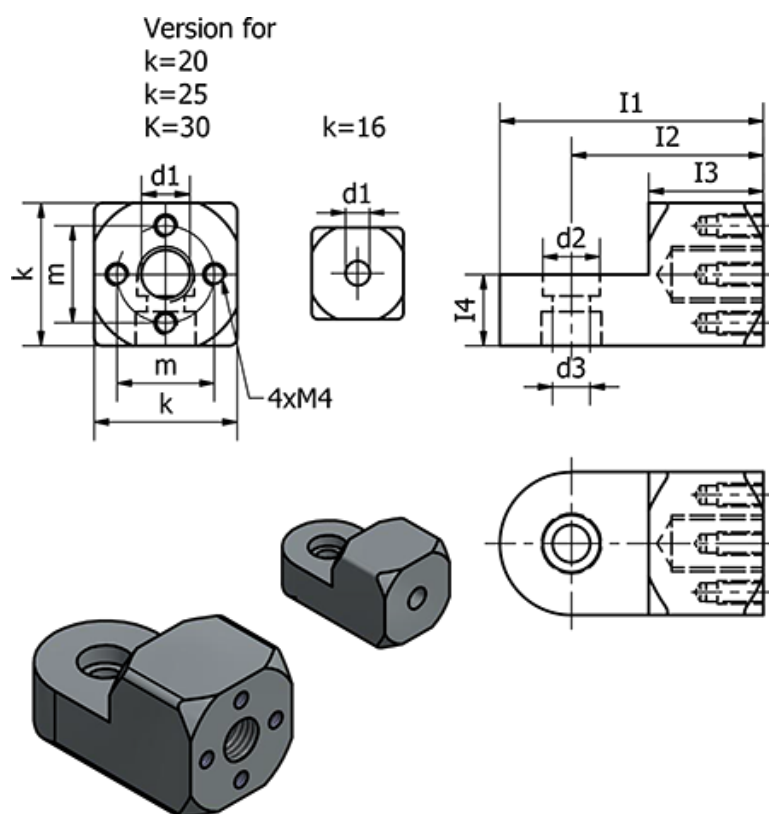


Article number: 20484M1230MT  
 Description: E+G T-swivel mounting  
 GN 484-M12-30-MT

## Measures



Clamping kit for  $d3$  Type K = GN 511.1-M6-30-K

Clamping kit for  $d3$  Type S = GN 511.1-M6-30-S

$d1$  = M12

$d2$  = 10

$d3$  = 6.5

$I1$  = 55

$I2$  = 40

$I3$  = 24

$I4$  = 15

$k$  = 30

$m$  = 20

Weight (g) = 58